



Esoteric
Audio
Devices

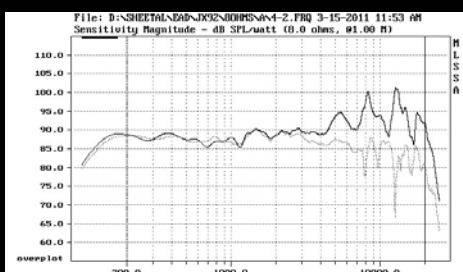
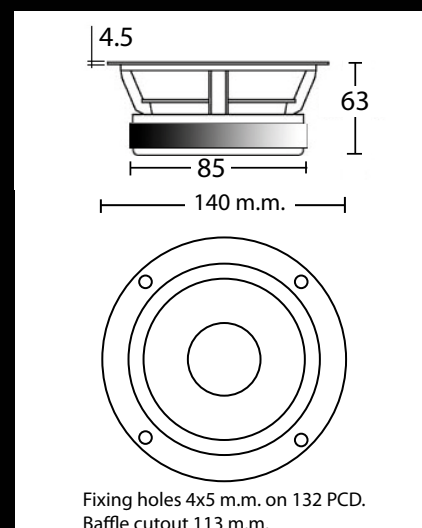


EAD E100

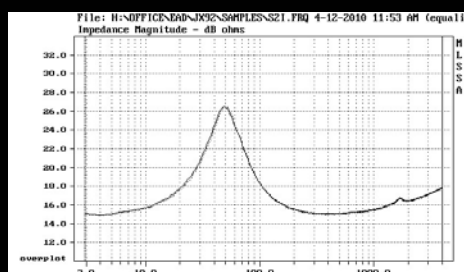
Embracing a range of almost nine octaves, the E100 offers among the widest bandwidth of any single drive unit available. This not only provides an exceptionally smooth, high-definition, crossover-free sound quality but allows for a very diverse range of applications.

The E100 can be successfully used with all types of enclosures including closed or vented boxes, transmission lines and horn loaded designs. It is eminently suitable for professional near-field monitors, high quality domestic hi-fi, home cinema and custom installations. Optionally the unit is magnetically screened, enabling it to be used in close proximity. (The shield is a separate item that can be added at any time.)

Note, parameters and curves are subject to changes:



Frequency



Impedance

Technical specifications

15min break-in at 9volts 50 Hz. Stimulus level 3.83 Volts.

| | | |
|-------------------------|------------|------|
| Free air resonance FO | Hz | 50.0 |
| Mechanical Q | Qm | 1.63 |
| Electrical Q | Qe | 0.58 |
| Total Q | Qt | 0.43 |
| Force factor | B*1 t*m | 4.6 |
| DC resistance | Re ohms | 5.75 |
| Dynamic mass | Md grams | 6.7 |
| Cms | æM/Newton | 1464 |
| Equiv air volume | Vas litre | 12.7 |
| Cone area | Sd sq. cms | 78.5 |
| Sound pressure level | SPL 1m 1w | 87.8 |
| Min box volume (1B) | litres | 3.0 |
| Power, continuous | watts | 50 |
| Power, music, in system | watts | 100 |
| Xmax p-p | m.m. | 9.0 |

v 1.0 Last updated 2011-08-09

